

iSTB151509



External Dimensions (mm)

Height: 150
Width: 150
Depth: 90

Construction Material

316L (1.4404), 304
(1.4301) Stainless Steel
Mild Steel (CR4)

Material Thickness (mm)

Body: 1.2/1.5mm
Lid: 1.2/1.5mm

Other thicknesses available

Standard Finish

Stainless Steel - brushed
Mild steel - Powder Coated
Grey RAL7032 or RAL7035

Optional Finish

Stainless steel - natural,
pickled or electropolished
Mild steel - customer specific
colours and specification

Door Fixing

Bolt down (Stainless
Steel bolts)

Sealing Material

High performance
silicone seal

Enclosure Earth

M6 internal and external
Stainless Steel earth stud
assembly. Painted enclosures
have M6 internal stud on
door and painted gland plates

Cable Entries

Direct through body (or
via gland plates-option)

Enclosure Mounting

Bolt directly to equipment or
via 2 mounting lugs. These
are bolted on as standard but
may be welded as an option.

Other options available

Enclosure Capacities

Cable Entries

Size	Side			
	A Top	B Right	C Bottom	D Left
M16	4	4	4	3
M20	4	4	4	3
M25	3	3	3	2
M32	3	3	3	2
M40	0	0	0	0

(Gland plate entry capacity based upon regular pattern.
More entries may be possible with staggered patterns.)

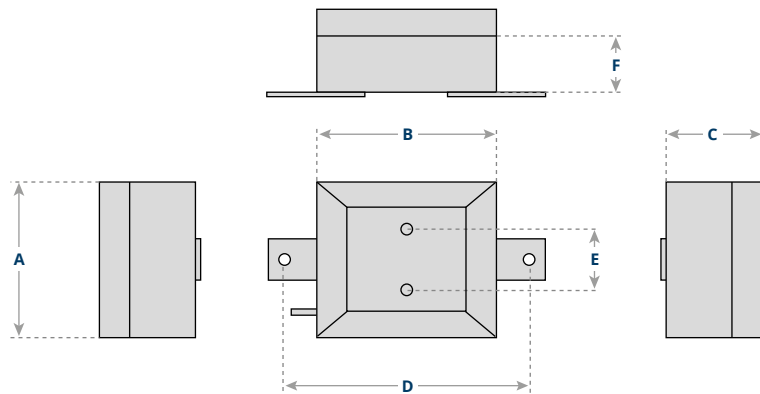
Terminal Content

Conductor size	2.5 mm ²	4 mm ²	6 mm ²	10 mm ²
Quantity (vertical)	1x18	1x13	1x9	1x7

(Based on maximum physical content. Always check maximum cable bending radius.)

Dimensions (mm)

A	B	C	D	E	F
150	150	90	210	50	65



Certificates

Component (ATEX) (IECEX)

Certificate No.	SIRA11ATEX3142U IECEX SIR 120083U Iss4
Service Temperature Range	-40 °C to +135 °C
Ingress Protection	IP66
Impact Resistance	7J Nm

Apparatus (ATEX) (IECEX)

Certificate No.	SIRA11ATEX3241X IECEX SIR 15.0002X Iss 0
Marking	II 2 GD
Protection Concepts	GAS: Ex e IIC Gb T6, T5, T4 DUST: Ex tb IIIC Db IP66
Ambient Temperature	Min -50°C Max +70°C

Part Number Selection Example

Order code: **iSTB S1 15 15 90 1 C**

Family	Material	Height	Width	Depth	No. of Gland Plates	Gland Plate Faces
iSTB	S1	15	15	90	1	C
iSTB	316L	150mm	150mm	90mm	1	Bottom
	S1 = 316L S2 = 304 PS = Mild Steel				0,1,2,3 or 4	A = Top B = Right C = Bottom D = Left