

# iSTB163812



### External Dimensions (mm)

Height: 160  
Width: 380  
Depth: 120

### Construction Material

316L (1.4404), 304  
(1.4301) Stainless Steel  
Mild Steel (CR4)

### Material Thickness (mm)

Body: 1.2/1.5mm  
Lid: 1.2/1.5mm

Other thicknesses available

### Standard Finish

Stainless Steel - brushed  
Mild steel - Powder Coated  
Grey RAL7032 or RAL7035

### Optional Finish

Stainless steel - natural,  
pickled or electropolished  
Mild steel - customer specific  
colours and specification

### Door Fixing

Bolt down (Stainless  
Steel bolts)

### Sealing Material

High performance  
silicone seal

### Enclosure Earth

M6 internal and external  
Stainless Steel earth stud  
assembly. Painted enclosures  
have M6 internal stud on  
door and painted gland plates

### Cable Entries

Direct through body (or  
via gland plates-option)

### Enclosure Mounting

Bolt directly to equipment or  
via 2 mounting lugs. These  
are bolted on as standard but  
may be welded as an option.

Other options available

## Enclosure Capacities

### Cable Entries

Size	Side			
	A Top	B Right	C Bottom	D Left
M16	24	10	24	8
M20	22	8	22	6
M25	20	6	20	6
M32	8	3	8	2
M40	6	2	6	2

(Gland plate entry capacity based upon regular pattern.  
More entries may be possible with staggered patterns.)

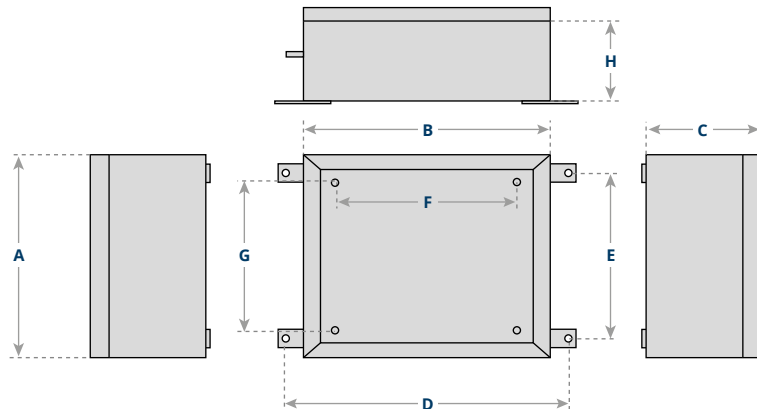
### Terminal Content

Conductor size	2.5 mm <sup>2</sup>	4 mm <sup>2</sup>	6 mm <sup>2</sup>	10 mm <sup>2</sup>
Quantity (vertical)	4x20	3x15	3x10	2x6

(Based on maximum physical content. Always check maximum cable bending radius.)

## Dimensions (mm)

A	B	C	D	E	F	G	H
160	380	120	440	100	280	60	95



## Certificates

### Component (ATEX) (IECEX)

Certificate No.	SIRA11ATEX3142U IECEX SIR 120083U Iss4
Service Temperature Range	-40 °C to +135 °C
Ingress Protection	IP66
Impact Resistance	7J Nm

### Apparatus (ATEX) (IECEX)

Certificate No.	SIRA11ATEX3241X IECEX SIR 15.0002X Iss 0
Marking	II 2 GD
Protection Concepts	GAS: Ex e IIC Gb T6, T5, T4 DUST: Ex tb IIIC Db IP66
Ambient Temperature	Min -50°C Max +70°C

## Part Number Selection Example

Order code: iSTB S1 16 38 12 0

Family	Material	Height	Width	Depth	No. of Gland Plates	Gland Plate Faces
iSTB	S1	16	38	12	0	-
iSTB	316L	160mm	380mm	120mm	0	-

S1 = 316L  
S2 = 304  
PS = Mild Steel

0,1,2,3 or 4

A = Top  
B = Right  
C = Bottom  
D = Left