

iSTB191910



External Dimensions (mm)

Height: 190
Width: 190
Depth: 100

Construction Material

316L (1.4404), 304
(1.4301) Stainless Steel

Mild Steel (CR4)

Material Thickness (mm)

Body: 1.2/1.5mm
Lid: 1.2/1.5mm

Other thicknesses available

Standard Finish

Stainless Steel - brushed

Mild steel - Powder Coated
Grey RAL7032 or RAL7035

Optional Finish

Stainless steel - natural,
pickled or electropolished

Mild steel - customer specific
colours and specification

Door Fixing

Bolt down (Stainless
Steel bolts)

Sealing Material

High performance
silicone seal

Enclosure Earth

M6 internal and external
Stainless Steel earth stud
assembly. Painted enclosures
have M6 internal stud on
door and painted gland plates

Cable Entries

Direct through body (or
via gland plates-option)

Enclosure Mounting

Bolt directly to equipment or
via 2 mounting lugs. These
are bolted on as standard but
may be welded as an option.

Other options available

Enclosure Capacities

Cable Entries

| Size | Side | | | |
|------|-------|---------|----------|--------|
| | A Top | B Right | C Bottom | D Left |
| M16 | 6 | 6 | 6 | 5 |
| M20 | 5 | 5 | 5 | 4 |
| M25 | 4 | 4 | 4 | 4 |
| M32 | 3 | 3 | 3 | 3 |
| M40 | 3 | 3 | 3 | 2 |

(Gland plate entry capacity based upon regular pattern.
More entries may be possible with staggered patterns.)

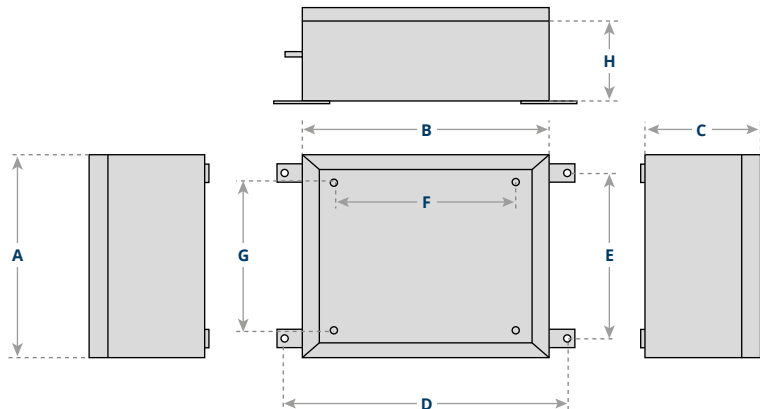
Terminal Content

| Conductor size | 2.5 mm ² | 4 mm ² | 6 mm ² | 10 mm ² |
|---------------------|---------------------|-------------------|-------------------|--------------------|
| Quantity (vertical) | 2x26 | 1x20 | 1x14 | 1x9 |

(Based on maximum physical content. Always check maximum cable bending radius.)

Dimensions (mm)

| A | B | C | D | E | F | G | H |
|-----|-----|-----|-----|-----|----|----|----|
| 190 | 190 | 100 | 250 | 130 | 90 | 90 | 75 |



Certificates

Component (ATEX) (IECEX)

| | |
|---------------------------|---|
| Certificate No. | SIRA11ATEX3142U IECEX SIR 120083U Iss4 |
| Service Temperature Range | -40 °C to +135 °C |
| Ingress Protection | IP66 |
| Impact Resistance | 7J Nm |

Apparatus (ATEX) (IECEX)

| | |
|---------------------|---|
| Certificate No. | SIRA11ATEX3241X IECEX SIR 15.0002X Iss 0 |
| Marking | II 2 GD |
| Protection Concepts | GAS: Ex e IIC Gb T6, T5, T4 DUST: Ex tb IIIC Db IP66 |
| Ambient Temperature | Min -50°C Max +70°C |

Part Number Selection Example

Order code: **iSTB S1 19 19 10 2 AC**

| Family | Material | Height | Width | Depth | No. of Gland Plates | Gland Plate Faces |
|--------|--|--------|-------|-------|---------------------|--|
| iSTB | S1 | 19 | 19 | 10 | 2 | AC |
| iSTB | 316L | 150mm | 150mm | 90mm | 2 | Top & Bottom |
| | S1 = 316L S2 = 304 PS = Mild Steel | | | | 0,1,2,3 or 4 | A = Top B = Right C = Bottom D = Left |