

# iSTB383820



## External Dimensions (mm)

Height: 160  
Width: 380  
Depth: 120

## Construction Material

316L (1.4404), 304 (1.4301) Stainless Steel  
Mild Steel (CR4)

## Material Thickness (mm)

Body: 1.2/1.5mm  
Lid: 1.2/1.5mm

Other thicknesses available

## Standard Finish

Stainless Steel - brushed  
Mild steel - Powder Coated Grey RAL7032 or RAL7035

## Optional Finish

Stainless steel - natural, pickled or electropolished  
Mild steel - customer specific colours and specification

## Door Fixing

Bolt down (Stainless Steel bolts)

## Sealing Material

High performance silicone seal

## Enclosure Earth

M6 internal and external Stainless Steel earth stud assembly. Painted enclosures have M6 internal stud on door and painted gland plates

## Cable Entries

Direct through body (or via gland plates-option)

## Enclosure Mounting

Bolt directly to equipment or via 2 mounting lugs. These are bolted on as standard but may be welded as an option.

Other options available

## Enclosure Capacities

### Cable Entries

Size	Side			
	A Top	B Right	C Bottom	D Left
M16	6	6	6	5
M20	5	5	5	4
M25	4	4	4	4
M32	3	3	3	3
M40	3	3	3	2

(Gland plate entry capacity based upon regular pattern. More entries may be possible with staggered patterns.)

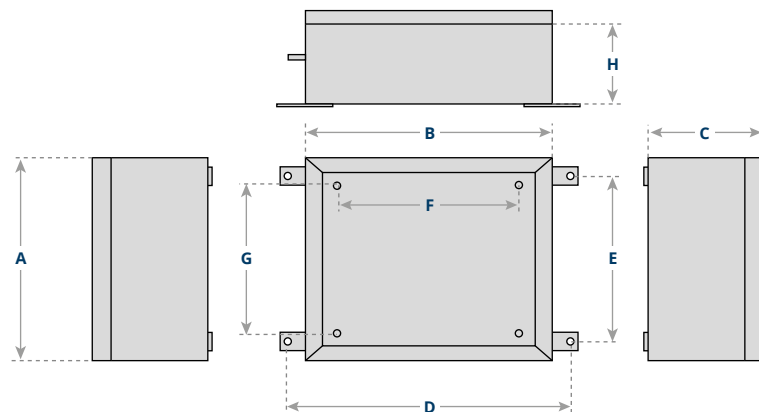
### Terminal Content

Conductor size	2.5 mm <sup>2</sup>	4 mm <sup>2</sup>	6 mm <sup>2</sup>	10 mm <sup>2</sup>
Quantity (vertical)	4x63	3x51	3x38	2x28

(Based on maximum physical content. Always check maximum cable bending radius.)

## Dimensions (mm)

A	B	C	D	E	F	G	H
380	380	200	440	320	280	280	175



## Certificates

### Component (ATEX) (IECEX)

Certificate No.	SIRA11ATEX3142U IECEX SIR 120083U Iss4
Service Temperature Range	-40 °C to +135 °C
Ingress Protection	IP66
Impact Resistance	7J Nm

### Apparatus (ATEX) (IECEX)

Certificate No.	SIRA11ATEX3241X IECEX SIR 15.0002X Iss 0
Marking	II 2 GD
Protection Concepts	GAS: Ex e IIC Gb T6, T5, T4 DUST: Ex tb IIIC Db IP66
Ambient Temperature	Min -50°C Max +70°C

## Part Number Selection Example

Order code: iSTB S1 38 38 20 0 0

Family	Material	Height	Width	Depth	No. of Gland Plates	Gland Plate Faces
iSTB	S1	38	38	20	0	-
iSTB	316L	380mm	380mm	200mm	0	-

S1 = 316L  
S2 = 304  
PS = Mild Steel

0,1,2,3 or 4

A = Top  
B = Right  
C = Bottom  
D = Left