

iSTB606030



External Dimensions (mm)

Height: 600
Width: 600
Depth: 300

Construction Material

316L (1.4404), 304 (1.4301) Stainless Steel
Mild Steel (CR4)

Material Thickness (mm)

Body: 1.2/1.5mm
Lid: 1.2/1.5mm

Other thicknesses available

Standard Finish

Stainless Steel - brushed
Mild steel - Powder Coated Grey RAL7032 or RAL7035

Optional Finish

Stainless steel - natural, pickled or electropolished
Mild steel - customer specific colours and specification

Door Fixing

Bolt down (Stainless Steel bolts)

Sealing Material

High performance silicone seal

Enclosure Earth

M6 internal and external Stainless Steel earth stud assembly. Painted enclosures have M6 internal stud on door and painted gland plates

Cable Entries

Direct through body (or via gland plates-option)

Enclosure Mounting

Bolt directly to equipment or via 2 mounting lugs. These are bolted on as standard but may be welded as an option.

Other options available

Enclosure Capacities

Cable Entries

Size	Side			
	A Top	B Right	C Bottom	D Left
M16	180	180	180	171
M20	144	144	144	136
M25	112	112	112	105
M32	65	65	65	60
M40	44	44	44	40

(Gland plate entry capacity based upon regular pattern. More entries may be possible with staggered patterns.)

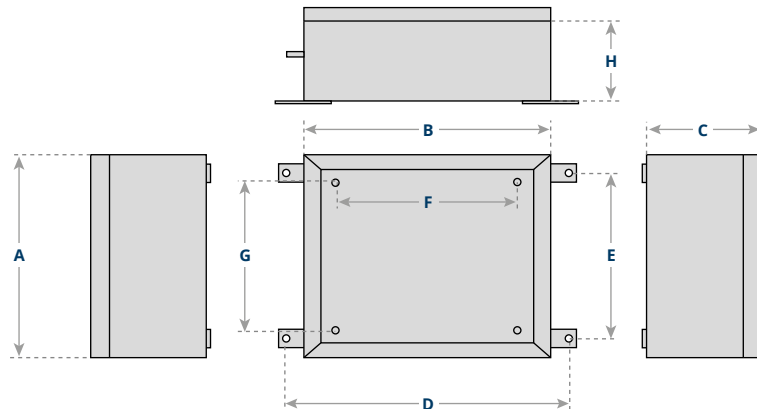
Terminal Content

Conductor size	2.5 mm ²	4 mm ²	6 mm ²	10 mm ²
Quantity (vertical)	6x106	5x87	5x66	4x51

(Based on maximum physical content. Always check maximum cable bending radius.)

Dimensions (mm)

A	B	C	D	E	F	G	H
600	600	300	660	540	500	500	275



Certificates

Component (ATEX) (IECEX)

Certificate No.	SIRA11ATEX3142U IECEX SIR 120083U Iss4
Service Temperature Range	-40 °C to +135 °C
Ingress Protection	IP66
Impact Resistance	7J Nm

Apparatus (ATEX) (IECEX)

Certificate No.	SIRA11ATEX3241X IECEX SIR 15.0002X Iss 0
Marking	II 2 GD
Protection Concepts	GAS: Ex e IIC Gb T6, T5, T4 DUST: Ex tb IIIC Db IP66
Ambient Temperature	Min -50°C Max +70°C

Part Number Selection Example

Order code: **iSTB S1 60 60 30 1 C**

Family	Material	Height	Width	Depth	No. of Gland Plates	Gland Plate Faces
iSTB	S1	60	60	30	1	C
iSTB	316L	600mm	600mm	300mm	1	Bottom
	S1 = 316L S2 = 304 PS = Mild Steel				0,1,2,3 or 4	A = Top B = Right C = Bottom D = Left