

# iTB12010030



## External Dimensions (mm)

Height: 1200  
Width: 1000  
Depth: 300

## Construction Material

316L (1.4404), 304 (1.4301)  
Stainless Steel  
Mild Steel (CR4)

## Material Thickness (mm)

Body: 1.2 Lid: 1.2  
Gland Plate: 3.0  
Other thicknesses available

## Standard Finish

Stainless Steel - brushed  
Mild steel - Powder Coated  
Grey RAL7032 or RAL7035

## Optional Finish

Stainless steel - natural,  
pickled or electropolished  
Mild steel - customer specific  
colours and specification

## Door Fixing

Hinged door with bolts on  
opposite side. Through-lid  
padlock hasp optional

## Sealing Material

High performance  
silicone seal

## Enclosure Earth

M10 internal and external  
stainless steel earth stud  
assembly. Painted enclosures  
have M6 internal stud on  
door & painted gland plates

## Cable Entries

Via gland plates or  
direct through body

## Enclosure Mounting

Bolt directly to equipment  
or via 4 mounting lugs.  
These lugs are bolted  
on as standard but may  
be welded as an option.  
Other options available

## Enclosure Capacities

### Cable Entries

Size	Side			
	A Top	B Right	C Bottom	D Left
M16	272	328	272	312
M20	168	198	168	192
M25	110	130	110	125
M32	76	96	76	92
M40	48	57	48	57

(Gland plate entry capacity based upon regular pattern.  
More entries may be possible with staggered patterns.)

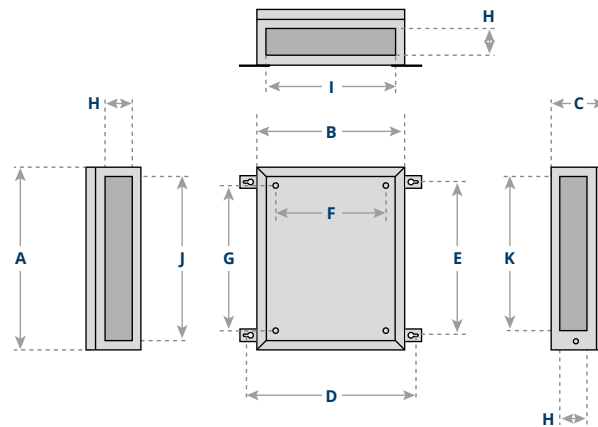
### Terminal Content

Conductor size	2.5 mm <sup>2</sup>	4 mm <sup>2</sup>	6 mm <sup>2</sup>	10 mm <sup>2</sup>
Quantity (vertical)	10x224	10x186	9x142	8x111

(Based on maximum physical content. Always check maximum cable bending radius.)

## Dimensions (mm)

A	B	C	D	E	F	G	H	I	J	K
1200	1000	300	1060	1140	900	1100	228	956	1156	1098



## Certificates

### Component (ATEX) (IECEx)

Certificate No.	SIRA11ATEX3142U IECEx SIR 120083U Iss4
Service Temperature Range	-40°C to +135°C
Ingress Protection	IP66
Impact Resistance	7J Nm

### Apparatus (ATEX) (IECEx)

Certificate No.	SIRA11ATEX3241X IECEx SIR 15.0002X Iss 0
Marking	II 2 GD
Protection Concepts	GAS: Ex e IIC Gb T6, T5, T4 DUST: Ex tb IIIC Db IP66
Ambient Temperature	Min -50°C Max +70°C

## Part Number Selection Example

Order code: iTB S1 120 100 30 2 AC

Family	Material	Height	Width	Depth	No. of Gland Plates	Gland Plate Faces
iTB	S1	120	100	30	2	AC
iTB	316L	1200mm	1000mm	300mm	2	Top, Bottom
	S1 = 316L S2 = 304 PS = Mild Steel				0,1,2,3 or 4	A = Top B = Right C = Bottom D = Left