

iTB302015



External Dimensions (mm)

Height: 300
Width: 200
Depth: 150

Construction Material

316L (1.4404), 304 (1.4301)
Stainless Steel
Mild Steel (CR4)

Material Thickness (mm)

Body: 1.2 Lid: 1.2
Gland Plate: 3.0
Other thicknesses available

Standard Finish

Stainless Steel - brushed
Mild steel - Powder Coated
Grey RAL7032 or RAL7035

Optional Finish

Stainless steel - natural,
pickled or electropolished
Mild steel - customer specific
colours and specification

Door Fixing

Hinged door with bolts on
opposite side. Through-lid
padlock hasp optional

Sealing Material

High performance
silicone seal

Enclosure Earth

M10 internal and external
stainless steel earth stud
assembly. Painted enclosures
have M6 internal stud on
door & painted gland plates

Cable Entries

Via gland plates or
direct through body

Enclosure Mounting

Bolt directly to equipment
or via 4 mounting lugs.
These lugs are bolted
on as standard but may
be welded as an option.
Other options available

Enclosure Capacities

Cable Entries

Size	Side			
	A Top	B Right	C Bottom	D Left
M16	10	18	10	14
M20	8	14	8	12
M25	3	5	3	4
M32	3	5	3	4
M40	2	4	2	3

(Gland plate entry capacity based upon regular pattern.
More entries may be possible with staggered patterns.)

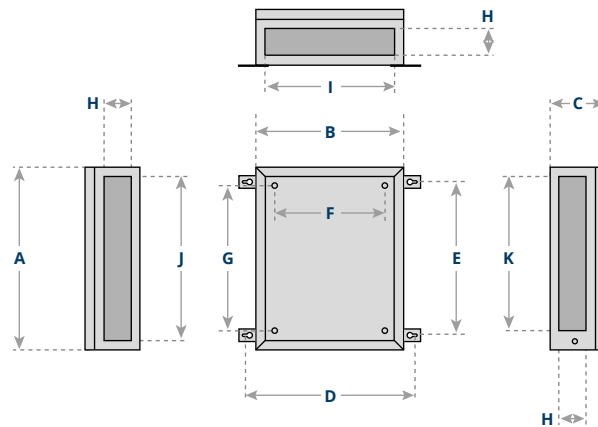
Terminal Content

Conductor size	2.5 mm ²	4 mm ²	6 mm ²	10 mm ²
Quantity (vertical)	2x48	1x38	1x28	1x20

(Based on maximum physical content. Always check maximum cable bending radius.)

Dimensions (mm)

A	B	C	D	E	F	G	H	I	J	K
300	200	150	260	240	100	200	78	156	256	198



Certificates

Component (ATEX) (IECEx)

Certificate No.	SIRA11ATEX3142U IECEx SIR 120083U Iss4
Service Temperature Range	-40 °C to +135 °C
Ingress Protection	IP66
Impact Resistance	7J Nm

Apparatus (ATEX) (IECEx)

Certificate No.	SIRA11ATEX3241X IECEx SIR 15.0002X Iss 0
Marking	II 2 GD
Protection Concepts	GAS: Ex e IIC Gb T6, T5, T4 DUST: Ex tb IIIC Db IP66
Ambient Temperature	Min -50°C Max +70°C

Part Number Selection Example

Order code: **iTB S2 30 20 15 2 AC**

Family	Material	Height	Width	Depth	No. of Gland Plates	Gland Plate Faces
iTB	S2	30	20	15	2	AC
iTB	304	300mm	200mm	150mm	2	Top, Bottom

S1 = 316L
S2 = 304
PS = Mild Steel

0,1,2,3 or 4

A = Top
B = Right
C = Bottom
D = Left