

iTB604020



External Dimensions (mm)

Height: 600
Width: 400
Depth: 200

Construction Material

316L (1.4404), 304 (1.4301)
Stainless Steel
Mild Steel (CR4)

Material Thickness (mm)

Body: 1.2 Lid: 1.2
Gland Plate: 3.0
Other thicknesses available

Standard Finish

Stainless Steel - brushed
Mild steel - Powder Coated
Grey RAL7032 or RAL7035

Optional Finish

Stainless steel - natural,
pickled or electropolished
Mild steel - customer specific
colours and specification

Door Fixing

Hinged door with bolts on
opposite side. Through-lid
padlock hasp optional

Sealing Material

High performance
silicone seal

Enclosure Earth

M10 internal and external
stainless steel earth stud
assembly. Painted enclosures
have M6 internal stud on
door & painted gland plates

Cable Entries

Via gland plates or
direct through body

Enclosure Mounting

Bolt directly to equipment
or via 4 mounting lugs.
These lugs are bolted
on as standard but may
be welded as an option.
Other options available

Enclosure Capacities

Cable Entries

Size	Side			
	A Top	B Right	C Bottom	D Left
M16	48	76	48	72
M20	30	48	30	42
M25	16	24	16	22
M32	14	22	14	20
M40	12	18	12	16

(Gland plate entry capacity based upon regular pattern.
More entries may be possible with staggered patterns.)

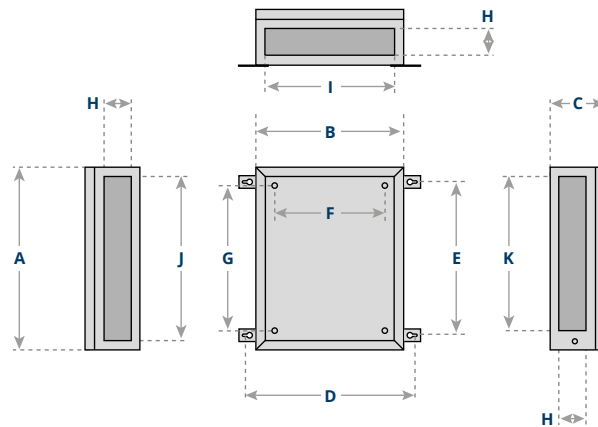
Terminal Content

Conductor size	2.5 mm ²	4 mm ²	6 mm ²	10 mm ²
Quantity (vertical)	4x106	3x87	3x66	3x51

(Based on maximum physical content. Always check maximum cable bending radius.)

Dimensions (mm)

A	B	C	D	E	F	G	H	I	J	K
600	400	200	460	540	300	500	128	356	556	498



Certificates

Component (ATEX) (IECEX)

Certificate No.	SIRA11ATEX3142U IECEX SIR 120083U Iss4
Service Temperature Range	-40 °C to +135 °C
Ingress Protection	IP66
Impact Resistance	7J Nm

Apparatus (ATEX) (IECEX)

Certificate No.	SIRA11ATEX3241X IECEX SIR 15.0002X Iss 0
Marking	II 2 GD
Protection Concepts	GAS: Ex e IIC Gb T6, T5, T4 DUST: Ex tb IIIC Db IP66
Ambient Temperature	Min -50°C Max +70°C

Part Number Selection Example

Family	Material	Height	Width	Depth	No. of Gland Plates	Gland Plate Faces
iTB	S1	60	40	20	2	AC
iTB	316L	600mm	400mm	200mm	2	Top, Bottom
	S1 = 316L S2 = 304 PS = Mild Steel				0,1,2,3 or 4	A = Top B = Right C = Bottom D = Left