

iTB755020



External Dimensions (mm)

Height: 750
Width: 500
Depth: 200

Construction Material

316L (1.4404), 304 (1.4301)
Stainless Steel
Mild Steel (CR4)

Material Thickness (mm)

Body: 1.2 Lid: 1.2
Gland Plate: 3.0
Other thicknesses available

Standard Finish

Stainless Steel - brushed
Mild steel - Powder Coated
Grey RAL7032 or RAL7035

Optional Finish

Stainless steel - natural,
pickled or electropolished
Mild steel - customer specific
colours and specification

Door Fixing

Hinged door with bolts on
opposite side. Through-lid
padlock hasp optional

Sealing Material

High performance
silicone seal

Enclosure Earth

M10 internal and external
stainless steel earth stud
assembly. Painted enclosures
have M6 internal stud on
door & painted gland plates

Cable Entries

Via gland plates or
direct through body

Enclosure Mounting

Bolt directly to equipment
or via 4 mounting lugs.
These lugs are bolted
on as standard but may
be welded as an option.
Other options available

Enclosure Capacities

Cable Entries

Size	Side			
	A Top	B Right	C Bottom	D Left
M16	64	100	64	92
M20	39	60	39	57
M25	20	32	20	30
M32	18	28	18	26
M40	14	24	14	22

(Gland plate entry capacity based upon regular pattern.
More entries may be possible with staggered patterns.)

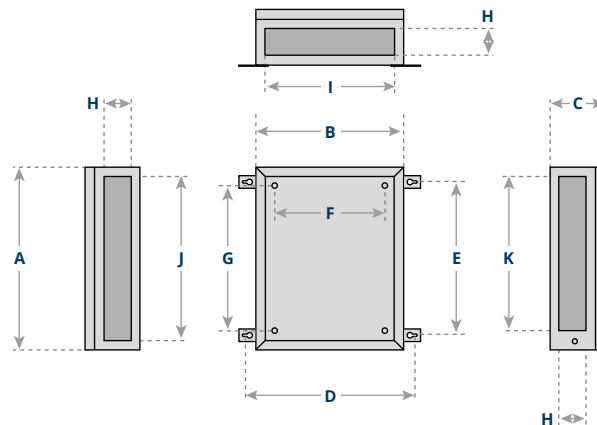
Terminal Content

Conductor size	2.5 mm ²	4 mm ²	6 mm ²	10 mm ²
Quantity (vertical)	5x136	4x112	4x85	3x66

(Based on maximum physical content. Always check maximum cable bending radius.)

Dimensions (mm)

A	B	C	D	E	F	G	H	I	J	K
750	500	200	610	690	400	650	128	456	706	648



Certificates

Component (ATEX) (IECEx)

Certificate No.	SIRA11ATEX3142U IECEx SIR 120083U Iss4
Service Temperature Range	-40 °C to +135 °C
Ingress Protection	IP66
Impact Resistance	7J Nm

Apparatus (ATEX) (IECEx)

Certificate No.	SIRA11ATEX3241X IECEx SIR 15.0002X Iss 0
Marking	II 2 GD
Protection Concepts	GAS: Ex e IIC Gb T6, T5, T4 DUST: Ex tb IIIC Db IP66
Ambient Temperature	Min -50°C Max +70°C

Part Number Selection Example

Order code: iTB S1 75 50 20 2 AC

Family	Material	Height	Width	Depth	No. of Gland Plates	Gland Plate Faces
iTB	S1	75	50	20	2	AC
iTB	316L	750mm	500mm	200mm	2	Top, Bottom
	S1 = 316L S2 = 304 PS = Mild Steel				0,1,2,3 or 4	A = Top B = Right C = Bottom D = Left