

# iTB906020



## External Dimensions (mm)

Height: 900  
Width: 600  
Depth: 200

## Construction Material

316L (1.4404), 304 (1.4301)  
Stainless Steel  
Mild Steel (CR4)

## Material Thickness (mm)

Body: 1.2 Lid: 1.2  
Gland Plate: 3.0  
Other thicknesses available

## Standard Finish

Stainless Steel - brushed  
Mild steel - Powder Coated  
Grey RAL7032 or RAL7035

## Optional Finish

Stainless steel - natural,  
pickled or electropolished  
Mild steel - customer specific  
colours and specification

## Door Fixing

Hinged door with bolts on  
opposite side. Through-lid  
padlock hasp optional

## Sealing Material

High performance  
silicone seal

## Enclosure Earth

M10 internal and external  
stainless steel earth stud  
assembly. Painted enclosures  
have M6 internal stud on  
door & painted gland plates

## Cable Entries

Via gland plates or  
direct through body

## Enclosure Mounting

Bolt directly to equipment  
or via 4 mounting lugs.  
These lugs are bolted  
on as standard but may  
be welded as an option.  
Other options available

## Enclosure Capacities

### Cable Entries

Size	Side			
	A Top	B Right	C Bottom	D Left
M16	76	120	76	112
M20	48	75	48	69
M25	24	38	24	36
M32	22	34	22	32
M40	18	28	18	26

(Gland plate entry capacity based upon regular pattern.  
More entries may be possible with staggered patterns.)

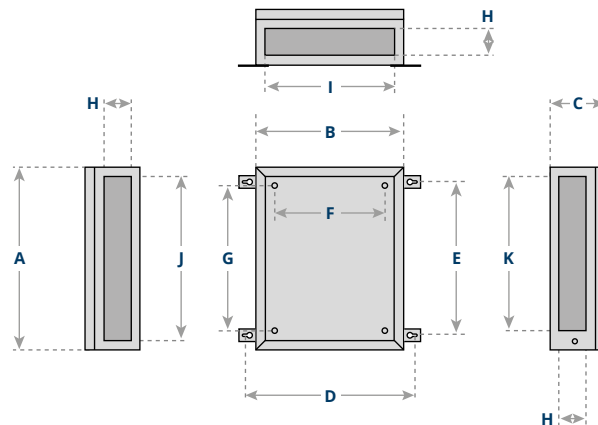
### Terminal Content

Conductor size	2.5 mm <sup>2</sup>	4 mm <sup>2</sup>	6 mm <sup>2</sup>	10 mm <sup>2</sup>
Quantity (vertical)	6x165	5x136	5x104	4x81

(Based on maximum physical content. Always check maximum cable bending radius.)

## Dimensions (mm)

A	B	C	D	E	F	G	H	I	J	K
900	600	200	660	840	500	800	128	556	856	798



## Certificates

### Component (ATEX) (IECEx)

Certificate No.	SIRA11ATEX3142U IECEx SIR 120083U Iss4
Service Temperature Range	-40°C to +135°C
Ingress Protection	IP66
Impact Resistance	7J Nm

### Apparatus (ATEX) (IECEx)

Certificate No.	SIRA11ATEX3241X IECEx SIR 15.0002X Iss 0
Marking	II 2 GD
Protection Concepts	GAS: Ex e IIC Gb T6, T5, T4 DUST: Ex tb IIIC Db IP66
Ambient Temperature	Min -50°C Max +70°C

## Part Number Selection Example

Family	Material	Height	Width	Depth	No. of Gland Plates	Gland Plate Faces
iTB	S1	90	60	20	2	AC
iTB	316L	900mm	600mm	200mm	2	Top, Bottom
	S1 = 316L S2 = 304 PS = Mild Steel				0,1,2,3 or 4	A = Top B = Right C = Bottom D = Left