

# iGRP

Our iGRP standard enclosure range gives you a complete “off the shelf” enclosure solution which is robust, cost effective, light weight and highly adaptable and can be used in both hazardous and industrial solutions.

## Key Features

- ✓ Sizes from 75x80x55mm up to 250x600x160mm for hazardous area
- ✓ All fixings and lid screws tamper proof, captive and 316L as standard
- ✓ ECP available for all sizes (please seek indEx sales advice for sizes below iGRP 121209, iGRP 404012 & iGRP 404020)
- ✓ Silicon gasket as standard achieving IP66 & 67
- ✓ Entry configuration to your requirements where possible. Tapped entries provided
- ✓ Antistatic, with high UV, dust, fat, oils, bacterial resistance and LSOH
- ✓ Impact resistant 7 N/m. Up to 10 N/m self certified
- ✓ Din rail support or mounting plate options
- ✓ Empty component “U” and fully built apparatus “X” enclosures available
- ✓ indEx full design, integration and certification for terminal and control gear enclosures
- ✓ Lid hinges, Breather drains and earth options available



### No Inconvenience

- ✓ Rapid design to your specification

### No Compromise

- ✓ Any size
- ✓ Custom as standard

### No Delay

- ✓ Delivered to your schedule

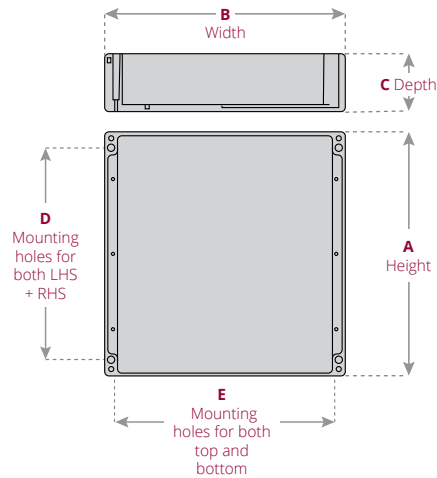
## Questions, enquiries?

Call us on 01233 638311 Email [sales@indexenclosures.com](mailto:sales@indexenclosures.com) Visit [www.indexenclosures.com](http://www.indexenclosures.com)



## Standard Dimensions

All dimensions in mm



Full details of certification, maximum populations of terminals and entries available on request from our sales team



### What size do you really need?

With indEx, custom comes as standard!  
Call us on **01233 638311** to discuss your requirements.

indEx part number	A	B	C	D	E	Max power dissipation in watts	Lid Bolts	Side	Glands					Terminals					
									M16	M20	M25	MK32	MK 3	1,5 <sup>2</sup>	2,5 <sup>2</sup>	4 <sup>2</sup>	6 <sup>2</sup>	10 <sup>2</sup>	
iGRP 070805	75	80	55	45	68	7.5	4	Side A+B	2	1				1 x 5					
								Side C+D	1	1									
iGRP 071105	75	110	55	45	98	8	4	Side A+B	3	2				1 x 8					
								Side C+D	1	1									
iGRP 071605	75	160	55	45	148	9	4	Side A+B	5	4				1 x 12					
								Side C+D	1	1									
iGRP 071905	75	190	55	45	178	9.4	4	Side A+B	7	5				1 x 12					
								Side C+D	1	1									
iGRP 121209	120	122	90	82	106	9.4	4	Side A+B	5	4	2	1			1 x 16	1 x 14	1 x 12	1 x 9	1 x 6
								Side C+D	2	2	1	1							
iGRP 122209	120	220	90	204	82	9.4	4	Side A+B	7	6	5	3			1 x 41	1 x 34	1 x 29	1 x 21	1 x 16
								Side C+D	2	2	1	1							
iGRP 161609	160	160	90	140	110	10.4	4	Side A+B	9	8	3	2			1 x 23	1 x 20	1 x 17	1 x 12	1 x 9
								Side C+D	7	6	2	1							
iGRP 162609	160	260	90	240	140	12	4	Side A+B	15	14	6	4			1 x 48	1 x 40	1 x 34	1 x 25	1 x 19
								Side C+D	7	6	2	1							
iGRP 163609	160	360	90	340	140	13.8	4	Side A+B	22	20	9	6			1 x 73	1 x 60	1 x 51	1 x 37	1 x 29
								Side C+D	7	6	2	1							
iGRP 252512	250	255	120	200	235	15.5	4	Side A+B	36	34	16	10			2 x 47	2 x 39	2 x 33	2 x 24	2 x 18
								Side C+D	7	6	2	1							
iGRP 252516	250	255	160	200	235	15.5	4	Side A+B	36	34	16	10			2 x 47	2 x 39	2 x 33	2 x 24	2 x 18
								Side C+D	7	6	2	1							
iGRP 254012	250	400	120	380	200	15.5	4	Side A+B	58	35	17	6			2 x 83	2 x 68	2 x 57	2 x 42	2 x 33
								Side C+D	12	8	4	3							
iGRP 254016	250	400	160	380	200	15.5	4	Side A+B	58	35	17	6			2 x 83	2 x 68	2 x 57	2 x 42	2 x 33
								Side C+D	12	8	4	3							
iGRP 256012	250	600	120	580 (260 centre bolt)	200	31	6	Side A+B	84	52	24	18			2 x 112	2 x 108	1 x 90	2 x 62	2 x 45
								Side C+D	12	8	4	3							
iGRP 256016	250	600	160	580 (260 centre bolt)	200	31	6	Side A+B	84	52	24	18			2 x 112	2 x 108	2 x 90	2 x 62	2 x 45
								Side C+D	12	8	4	3							
iGRP 404012	405	400	120	355	380	31.4	4	Side A+B	Terminal and entry configuration upon request										
								Side C+D	Terminal and entry configuration upon request										
iGRP 404020	405	400	200	355	380	31.4	4	Side A+B	Terminal and entry configuration upon request										
								Side C+D	Terminal and entry configuration upon request										

## Technical Data

### Construction Material

Carbon doped black glass fibre reinforced polyester

### Material Thickness (mm)

5mm sides

### Standard Finish

Die cast black

### Optional Finish

Other colours available. Details upon request

### Lid Fixing

Fully removable lid with captive M6 stainless steel screws. Hinges also available - details on request

### Sealing Material

One piece silicone suitable for IP66,67. LSOH

### Enclosure Earth

by PE terminals, options 6mm brass internal/external earth bolt optional internal earthing plate

### Cable Entries

Directly tapped & threaded

### Enclosure Mounting

Integrated 6,5mm holes within enclosure body

## Certificates

### Component (ATEX)

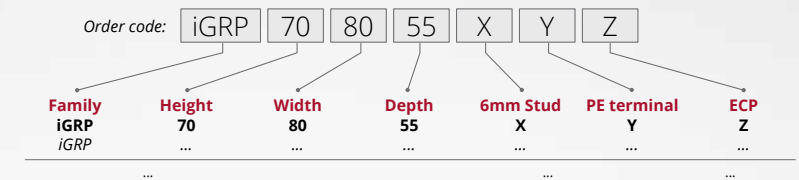
<b>Certificate No.</b>	EPS10ATEX1268U
<b>Service Temperature Range</b>	-55C to + 100C
<b>Ingress Protection</b>	IP66,67 EN60529:1992
<b>Impact Resistance</b>	7 N/M

### Apparatus (ATEX)

<b>Certificate No.</b>	EPS09ATEX1237
<b>Marking</b>	II 1 G D T6, II 2 G D
<b>Protection Concepts</b>	GAS: zones 1 & 2 - Ex ia, ib & ic, Ex e IIC Gb, T6, T5, T4, Ex nA, Ex nR DUST: zones 21, 22 - Ex tb IIIC Db IP66
<b>Ambient Temperature</b>	-60 to + 50

## Part Number Selection Example

Earthing - one of each or combination.



For custom sizes use: IELSO... number. Given on indEx quotations.

## Questions, enquiries?

Call us on **01233 638311** Email [sales@indexenclosures.com](mailto:sales@indexenclosures.com)

Visit [www.indexenclosures.com](http://www.indexenclosures.com)