



Our standard iSTB enclosure range gives you the most modern, robust and cost effective solution for hazardous and heavy industrial use.

Key Features

- ✓ Any size up to 600x600x300mm for hazardous area
- ✓ Any size for industrial use
- ✓ 316L, 304 Stainless and painted Mild Steel
- ✓ ATEX
- ✓ Silicon gaskets as standard
- ✓ Brushed finish as standard, other options available
- ✓ 316L is Corrosion resistant for min 25 years
- ✓ Impact resistant 7 NM
- ✓ All fixtures and fittings in 316L Stainless Steel
- ✓ Innovative mounting assembly options
- ✓ Din rail supports fitted
- ✓ Various material thicknesses available on request

Flexible external mounting solutions

Gland plates optional

High performance gasket

Industrial and hazard area solutions

Label options available

Optional locking solutions

Range of finishes and materials



No Inconvenience

- ✓ Rapid design to your specification

No Compromise

- ✓ Any size
- ✓ Custom as standard

No Delay

- ✓ Delivered to your schedule



Questions, enquiries?

Call us on 01233 638311 Email sales@indexenclosures.com Visit www.indexenclosures.com

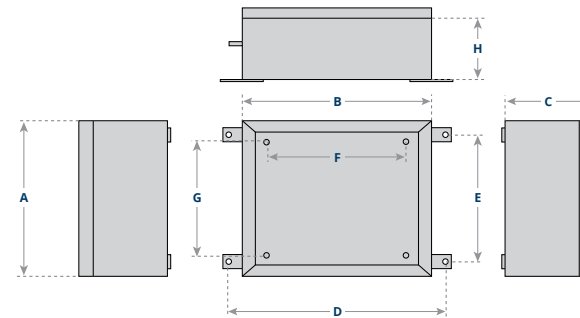
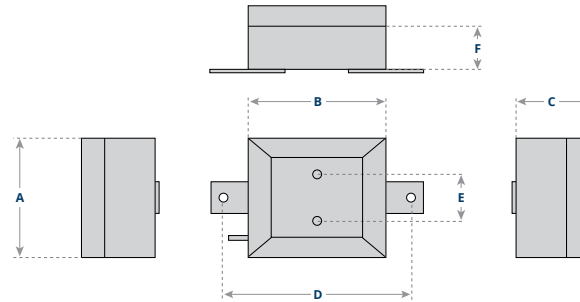


Standard Dimensions

All dimensions in mm

Box size	A	B	C	D	E	F	Lid Gauge	Body Gauge	Bolts
iSTB101008	100	100	80	160	35	55	1.2	1.2	4
iSTB121209	120	120	90	180	50	65	1.2	1.2	4
iSTB151509	150	150	90	210	50	65	1.2	1.2	4

Box size	A	B	C	D	E	F	G	H	Lid Gauge	Body Gauge	Bolts
iSTB191910	190	190	100	250	130	90	90	75	1.2	1.2	4
iSTB163812	160	380	120	440	100	280	60	95	1.2	1.2	4
iSTB252512	250	250	120	310	190	150	150	95	1.2	1.2	4
iSTB254015	250	400	150	460	190	300	150	125	1.5	1.5	4
iSTB383820	380	380	200	440	320	280	280	175	1.5	1.5	4
iSTB604020	600	400	200	460	540	300	500	175	1.5	1.5	4
iSTB606030	600	600	300	660	540	500	500	275	1.5	1.5	4



What size do you really need?

With indEx, custom comes as standard!

Call us on **01233 638311** to discuss your requirements.

Technical Data

Construction Material

316L (1.4404), 304 (1.4301) Stainless Steel
Mild Steel (CR4)

Material Thickness (mm)

Body: 1.2/1.5mm Lid: 1.2/1.5mm
Other thicknesses available

Standard Finish

Stainless Steel - brushed

Mild Steel - Powder Coated Grey RAL7032
or RAL7035

Optional Finish

Stainless Steel - natural, pickled or electropolished

Mild Steel - customer specific colours and specification

Door Fixing

Bolt down (Stainless Steel bolts)

Sealing Material

High performance silicone seal

Enclosure Earth

M6 internal and external Stainless Steel earth stud assembly. Painted enclosures have M6 internal stud on door and painted gland plates

Cable Entries

Direct through body (or via gland plates-option)

Enclosure Mounting

Bolt directly to equipment or via 2 mounting lugs. These are bolted on as standard but may be welded as an option. Other options available

Certificates

Component (ATEX)

Certificate No.	SIRA11ATEX3142U
Service Temperature Range	-40° C to +135° C
Ingress Protection	IP66
Impact Resistance	7J NM

Apparatus (ATEX)

Certificate No.	SIRA11ATEX3241X
Marking	II 2 GD
Protection Concepts	GAS: Ex e IIC Gb T6, T5, T4 DUST: Ex tb IIIC Db IP66
Ambient Temperature	Min Max
	-50° C +70° C

Part Number Selection Example

Order code: iSTB S1 19 19 10 2 AC

Family	Material	Height	Width	Depth	No. of Gland Plates	Gland Plate Faces
iSTB	S1	19	19	10	2	AC
iSTB	316L	190mm	190mm	100mm	2	Top & Bottom

S1 = 316L
S2 = 304
PS = Mild Steel

0,1,2,3 or 4

A = Top
B = Right
C = Bottom
D = Left

For custom sizes use: IELSO... number. Given on indEx quotations.

Questions, enquiries?

Call us on **01233 638311** Email sales@indexenclosures.com

Visit www.indexenclosures.com